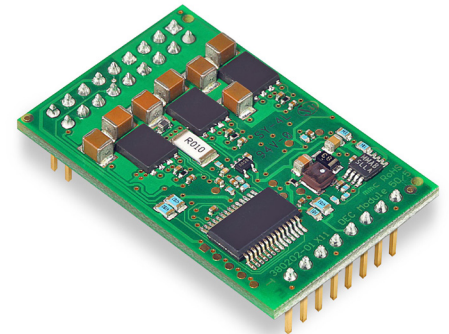


The DEC Module 50/5 (Digital EC Controller) is a small 1-quadrant digital controller for the control of brushless DC motors (Electronic Commutated motors) up to 250 W. The used EC motor must be equipped with digital Hall sensors.



Features:

- Digital speed control operates as «closed loop» or as «open loop» speed controller
- Maximum speed 80 000 rpm (motor with 1 pole pair)
- Set value input through external analogue voltage (0 ... +5 V)
- 3 different speed ranges selectable
- Direction of rotation preset by a digital signal
- The output stage can be enabled or disabled
- Maximum output current limit adjustable up to 10 A
- Motor speed can be monitored with the «Monitor n» output
- Status indication via «Ready» output
- Blockage protection (current limit for blocked motor)
- Protective functions: undervoltage, overvoltage and thermal overload
- Standardized connector strip, pitch 2.54 mm

Thanks to the wide input power supply range of 6...50 VDC (optional 5 VDC operation possible), the DEC Module 50/5 is very versatile and can be used with various power supplies.

A sturdy PI speed controller design is an ideal premise for immediate operation.

The well-priced and miniaturized OEM module seamlessly integrates into applications. Now the customer can fully focus on developing his/hers own device - while being able to make use of maxon motor's vast drive know-how. For start-up maxon motor offers a comprehensive Evaluation Board.

Table of Contents

1 Safety Instructions 2

2 Technical Data 3

3 Pin assignment DEC Module 50/5..... 4

4 Commissioning Instructions..... 5

5 Functional Description of Inputs and Outputs..... 6

6 Protective functions 12

7 Block Diagram 13

8 Dimensional Drawing..... 14

9 Accessories (not included in delivery) 14

10 Appendix «Motherboard Design Guide» 14

The latest edition of these operating instructions may be downloaded from the internet as a PDF-file under www.maxonmotor.com, category «Service & Downloads», order number 380200 or in the e-shop <http://shop.maxonmotor.com>.

1 Safety Instructions

**Skilled Personnel**

Installation and commissioning of the equipment shall only be performed by experienced, skilled personnel.

**Statutory Regulations**

The user must ensure that the amplifier and the components belonging to it are assembled and connected according to local statutory regulations.

**Disconnect Load**

For primary operation the motor should be free running, i.e. with load disconnected.

**Additional Safety Equipment**

Any electronic apparatus is, in principle, not fail-safe. Machines and apparatus must therefore be fitted with independent monitoring and safety equipment. If the equipment breaks down, if it is operated incorrectly, if the control unit breaks down or if the cables break, etc., it must be ensured that the drive or the complete apparatus is kept in a safe operating mode.

**Repairs**

Repairs may be made by authorized personnel only or by the manufacturer. Improper repairs can result in substantial dangers for the user

**Danger**

During installation of the DEC Module, make sure to disconnect all apparatus from the electrical supply.

After switch-on, do not touch any life parts!

**Wiring Procedure**

All electrical connections should only be connected or disconnected when the power is switched off.

**Max. Supply voltage**

Make sure that the supply voltage is between 6 and 55 VDC. Voltage higher than 56 VDC or wrong polarity will destroy the unit.

**Short Circuit and Earth Fault**

The amplifier is not protected against winding short circuits against ground safety earth and/or GND!

**Electrostatic sensitive device (ESD)**

2 Technical Data

2.1 Electrical data

Nominal supply voltage $+V_{CC}$	6 ... 50 VDC (optional 5 VDC ¹)
Absolute minimum supply voltage $+V_{CC \text{ min}}$	6 VDC (optional 5 VDC ¹)
Absolute maximum supply voltage $+V_{CC \text{ max}}$	55 VDC
Max. output voltage	$0.95 \cdot V_{CC}$
Continuous output current I_{cont}	5 A
Max. output current I_{max}	10 A
Switching frequency	46.8 kHz
Max. speed (motor with 1 pole pair)	80 000 rpm

2.2 Inputs

«Set value speed»	Analogue input (0 ... 5 V); Resolution: 1024 steps
«Enable»	+2.4 ... +55 V ($R_1 = 100 \text{ k}\Omega$) or switch against V_{CC}
«Direction»	+2.4 ... +55 V ($R_1 = 100 \text{ k}\Omega$) or switch against V_{CC}
Speed range «DigIN1 »	+2.4 ... +55 V ($R_{\text{pull-up}} = 47 \text{ k}\Omega$ at 5 V) or switch against Gnd
Speed range «DigIN2 »	+2.4 ... +55 V ($R_{\text{pull-up}} = 47 \text{ k}\Omega$ at 5 V) or switch against Gnd
«Set current limit»	external resistor ($\frac{1}{16} \text{ W}$) against Gnd
Hall sensors	«Hall sensor 1», «Hall sensor 2», «Hall sensor 3»

2.3 Output

Motor speed «Monitor n»	Digital output signal, 5 V ($R_o = 47 \text{ k}\Omega$)
Status indication «Ready»	Digital output signal, 5 V ($R_o = 47 \text{ k}\Omega$)

2.4 Voltage output

+5 VDC output voltage « $V_{CC \text{ Hall}}$ »	+5 VDC, max. 35 mA
---	--------------------

2.5 Motor connections

Motor connections	«Motor winding 1», « Motor winding 2», « Motor winding 3»
-------------------	---

2.6 Ambient temperature

Operation	-10 ... +45°C
Storage	-40 ... +85°C

2.7 Humidity range

Non condensating	20 ... 80 %
------------------	-------------

2.8 Protective functions

Current limitation (cycle-by-cycle)	adjustable up to maximum 10 A
Blockage	Motor current limitation if motor shaft is blocked
Undervoltage shutdown	shutdown if $V_{CC} < 6 \text{ VDC}$
Overvoltage shutdown	shutdown if $V_{CC} > 56 \text{ VDC}$
Thermal overload protection of power stage	shutdown if $T_{\text{power stage}} > 100^\circ\text{C}$

2.9 Mechanical data

Weight	approx. 9 g
Dimensions (LxWxH)	43.18 x 27.94 x 12.7 mm
	1.7 x 1.1 x 0.5 Inch

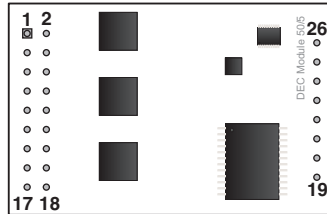
2.10 Terminals

Pin header 1	2 x 9 pins
	double-row, pitch 2.54 mm (0.1 Inch)
Pin header 2	8 pins
	single row, pitch 2.54 mm (0.1 Inch)

¹ 5V operating see chapter «10.8.2 Low Voltage +5V operation»

3 Pin assignment DEC Module 50/5

Top view



3.1 Pin assignment

Pin	Signal	Description
1	W1	Motor winding 1
2	W1	Motor winding 1
3	W2	Motor winding 2
4	W2	Motor winding 2
5	W3	Motor winding 3
6	W3	Motor winding 3
7	+V _{CC}	Supply voltage 6...50 VDC
8	+V _{CC}	Supply voltage 6...50 VDC
9	Gnd	Ground
10	Gnd	Ground
11	V _{CC} Hall	+5 VDC output voltage
12	n.c.	do not connect
13	H1	Hall sensor 1
14	Gnd	Ground
15	H2	Hall sensor 2
16	Gnd	Ground
17	H3	Hall sensor 3
18	Monitor n	Speed monitor output
19	Ready	Status indication output
20	DigIN1	Digital input 1
21	DigIN2	Digital input 2
22	Enable	Enable input
23	Direction	Direction input
24	Gnd	Ground
25	Set current limit	Set current limit input
26	Set value speed	Set value speed input

4 Commissioning Instructions

4.1 Power supply layout

Any available power supply can be used, as long as it meets the minimum requirements shown below.

During commissioning and adjustment phases, we recommend to mechanically separate the motor from the machine to prevent damage due to uncontrolled motion!

Power supply requirements

Nominal output voltage	6 VDC < V_{CC} < 50 VDC
Absolute minimum output voltage	6 VDC
Absolute maximum output voltage	55 VDC
Output current	depending on load, continuous max. 5 A acceleration, short-time max. 10 A

The required supply voltage can be calculated as follows:

Known values

- ⇒ Operating torque M_B [mNm]
- ⇒ Operating speed n_B [rpm]
- ⇒ Nominal motor voltage U_N [V]
- ⇒ Motor no-load speed at U_N , n_0 [rpm]
- ⇒ Speed/torque gradient of the motor $\Delta n/\Delta M$ [rpm/mNm]

Sought value

- ⇒ Supply voltage V_{CC} [V]

Solution

$$V_{cc} = \frac{U_N}{n_o} \cdot \left(n_B + \frac{\Delta n}{\Delta M} \cdot M_B \right) \cdot \frac{1}{0.95} + 0.3V$$

Select a power supply capable of supplying this calculated voltage under load. The formula takes into account a maximum PWM duty cycle of 95% and a 0.3 V maximum voltage drop (at maximum output current) of the power stage.

What speed can be reached with a given power supply:

$$n_B = 0.95 \cdot \left[(V_{cc} - 0.3V) \cdot \frac{n_0}{U_N} \right] - \left[\frac{\Delta n}{\Delta M} \cdot M_B \right]$$

Note

- ⇒ During controlled deceleration, the power supply must be able to buffer the back-fed energy e.g. in a capacitor.
- ⇒ The under voltage protection switches off the DEC Module 50/5, as soon as the supply voltage V_{CC} drops below 6 V. Therefore, at low supply voltage V_{CC} attention has to be paid to the voltage drop over the supplying cables.

5 Functional Description of Inputs and Outputs

5.1 Inputs

5.1.1 Speed range and mode selection with «DigIN1» and «DigIN2»

The digital inputs «DigIN1» [20] and «DigIN2» [21] determine both, the operation mode (digital speed controller or digital speed actuator) and the speed range in speed set value mode.

DigIN1	DigIN2	Motor type		
		1 pole pair	4 pole pair	8 pole pair
0	0	Open loop speed control, 0...95 % PWM depending on the «Set value speed» input voltage		
1	0	500...5 000 rpm	125...1 250 rpm	62...625 rpm
0	1	500...20 000 rpm	125... 5 000 rpm	62...2 500 rpm
1	1	500...80 000 rpm	125...20 000 rpm	62...10 000 rpm

Please note

⇒ If the signal level of the digital inputs DigIN1 [20] and DigIN2 [21] are changed, the new levels are adopted by a disable-enable procedure.

If the input «DigIN» is not connected (floating) or a voltage higher than 2.4 V is applied, the input is active.

Logic 1	Input not connected (floating) Input voltage > 2.4 V	Input active
---------	---	--------------

If the input «DigIN» is set to ground potential or a voltage smaller than 0.8 V is applied, the digital input is inactive

Logic 0	Input set to Gnd Input voltage < 0.8 V	Input inactive
---------	---	----------------

The inputs «DigIN1» and «DigIN2» are protected against overvoltage.

Digital input 1	Pin number [20] «DigIN1»
Digital input 2	Pin number [21] «DigIN2»
Input voltage range	0 ... +5 V
Input impedance	47 kΩ pull-up resistor against 5 V
Continuous overvoltage protection	-55 ... +55 V

5.1.2 Set value «Set value speed»

The external analogue set value is predetermined at the «Set value speed» input [26]. The «Set value speed» input sets the rotational speed of the motor shaft.

By adjusting the signal levels on digital inputs «DigIN1 [20]» and «DigIN2 [21]» the speed range must be set in advance.

DigIN1	DigIN2	Motor type		
		1 pole pair	4 pole pair	8 pole pair
0	0	Open loop speed control, 0...95 % PWM depending on the «Set value speed» input voltage		
1	0	500...5 000 rpm	125...1 250 rpm	62...625 rpm
0	1	500...20 000 rpm	125...5 000 rpm	62...2 500 rpm
1	1	500...80 000 rpm	125...20 000 rpm	62...10 000 rpm

Note

- ⇒ If the signal level of the digital inputs DigIN1 [20] and DigIN2 [21] are changed, the new levels are adopted by a disable-enable procedure.

Set value voltage	Description
0 V ... 0.1 V	Operation at minimum speed
0.1 V ... 5.0 V	Linear speed adjustment

The actual speed value is calculated according the following formula:

Known values

- ⇒ Minimum speed (see table above) n_{\min} [rpm]
 ⇒ Maximum speed (see table above) n_{\max} [rpm]
 ⇒ Set value voltage V_{set} [V] respectively speed n [rpm]

Sought value

- ⇒ speed n [rpm]

Solution

$$n = \left[\frac{V_{\text{set}} - 0.1[V]}{4.9[V]} \cdot (n_{\max} - n_{\min}) \right] + n_{\min}$$

Sought value

- ⇒ Set value voltage V_{set} [V]

Solution

$$V_{\text{set}} = \left(\frac{n - n_{\min}}{n_{\max} - n_{\min}} \cdot 4.9[V] \right) + 0.1[V]$$

The «Set value speed» input is protected against overvoltage.

Set value speed input	Pin number [26] «Set value speed»
Input voltage range	0 ... +5 V (referenced to Gnd)
Resolution	1024 steps (4.88 mV)
Input impedance	107 kΩ (in range 0 ... +5 V)
Continuous overvoltage protection	-55 ... +55 V

5.1.3 «Enable»

The «Enable» input enables or disables the power stage.

If a voltage higher than 2.4 V is applied to the «Enable» input, the amplifier is activated (Enable). A speed ramp will be performed during acceleration.

Enable	Input voltage > 2.4 V	Motor shaft running
--------	-----------------------	---------------------

If the input is not connected (floating) or ground potential is applied to the «Enable» input, the power stage is high impedant and the motor shaft free-wheels and slows down (Disable).

Disable	Input not connected (floating) Input set to Gnd Input voltage < 0.8 V	Power stage switched off
---------	---	--------------------------

The «Enable» input is protected against overvoltage.

Enable	Pin number [22] «Enable»
Input voltage range	0 ... +5 V
Input impedance	100 k Ω (in range 0 ... +5 V)
Continuous overvoltage protection	-55 ... +55 V
Delay time	max. 40 ms

5.1.4 «Direction»

The «Direction» input determines the rotational direction of the motor shaft. When the level changes, the motor shaft slows down with a ramp to standstill, and accelerates with a speed ramp in the opposite direction, until the target speed is reached again.

If the input is not connected (floating) or ground potential is applied to the «Direction» input, the motor shaft runs clockwise (CW).

CW	Input not connected (floating) Input set to Gnd Input voltage < 0.8 V	Clockwise (CW)
----	---	----------------

If a voltage higher than 2.4 V is applied to the «Direction» input, the motor shaft runs counter-clockwise (CCW).

CCW	Input voltage > 2.4 V	Counter-clockwise (CCW)
-----	-----------------------	-------------------------

The «Direction» input is protected against overvoltage.

Direction	Pin number [23] «Direction»
Input voltage range	0 ... +5 V
Input impedance	100 k Ω (in range 0 ... +5 V)
Continuous overvoltage protection	-55 ... +55 V
Delay time	max. 40 ms

5.1.5 «Set current limit»

The «Set current limit» input is used for setting the continuous output current limitation in the range of 0.5...10 A.

The current set at the input «Set current limit» will stay available for an indefinite period of time.

Note

⇒ The limiting value should be below the rated motor current (max. continuous current) as shown on the motor data sheet (corresponds to line 6 in maxon catalog).

Set value current	Pin number [25] «Set current limit»
Referenced to Ground	Pin number [24] «Gnd»

To parameterize the preferred current limiting value, an external resistor (at least 62.5 mW) between current limiting input «Set current limit» Pin [25] and ground «Gnd» Pin [24] must be added.

Current limit value	Resistance value (E24 series)
10 A	input floating
9 A	220 kΩ
8 A	91 kΩ
7 A	56 kΩ
6 A	36 kΩ
5 A	24 kΩ
4 A	16 kΩ
3 A	10.0 kΩ
2 A	5.6 kΩ
1 A	2.7 kΩ
0.5 A	1.2 kΩ

5.1.6 «Hall sensor 1», «Hall sensor 2», «Hall sensor 3»

Hall sensors are needed for detecting the rotor position and the actual speed.

The Hall sensor inputs are protected against overvoltage.

Hall sensor 1	Pin number [13] «Hall sensor 1»
Hall sensor 2	Pin number [15] «Hall sensor 2»
Hall sensor 3	Pin number [17] «Hall sensor 3»
Input voltage range	0 ... +5 V
Input impedance	22 kΩ pull-up resistor to 5 V
Voltage level «low»	max. 0.8 V
Voltage level «high»	min. 2.4 V
Continuous overvoltage protection	-30 ... +30 V

Suitable for Hall sensor IC's with Schmitt-Trigger behavior and open collector or push-pull outputs.

5.2 Outputs

5.2.1 +5 VDC output voltage «V_{CC} Hall»

An internal auxiliary voltage of +5 VDC is provided for:

- ⇒ Hall sensor supply voltage «V_{CC} Hall»
- ⇒ For external set value potentiometer (recommended value: 10 kΩ)
- ⇒ Gating the signals: «Enable» and «Direction»

The output is protected against continuous short circuit.

+5 VDC output voltage	Pin number [11] «V _{CC} Hall»
Referenced to Ground	Pin number [14] «Gnd»
Output voltage	+5 VDC ± 5 %
Max. output current	35 mA

5.2.2 Motor speed monitor «Monitor n»

The «Monitor n» output gives information on the actual speed of the motor shaft. The actual speed is available as a digital frequency signal (High/Low). The output «Monitor n» is protected against continuous short circuit.

Motor speed monitor	Pin number [18] «Monitor n»
Output voltage range	0 ... +5 V
Output impedance	47 kΩ

Known values

- ⇒ Number of pole pairs of motor z_{pol}
- ⇒ Frequency at «Monitor n» output [Hz] respectively Speed n [rpm]

Sought value

- ⇒ Frequency at «Monitor n» [Hz]

Sought value

- ⇒ Speed n [rpm]

Solution

$$f_{Monitor\ n} = \frac{n \cdot z_{pol}}{20} \quad [Hz]$$

Solution

$$n = \frac{f_{Monitor\ n} \cdot 20}{z_{pol}} \quad [min^{-1}]$$

5.2.3 Status indication «Ready»

The «Ready» output can be used to report the state of operational readiness or a fault condition to a master control unit.

In normal cases (no fault) the output is switched to 5V.

Ready (no fault)	5 V
------------------	-----

In case of a fault the output is switched to Ground.

Fault (not ready)	0 V (Gnd)
-------------------	-----------

Possible reasons for a fault message:

- ⇒ **Undervoltage**
Fault message occurs in case supply voltage $+V_{cc} < 6 \text{ VDC}$.
To reset the fault condition the amplifier must be disabled and the supply voltage $+V_{cc}$ must be higher than 6 VDC.
- ⇒ **Overvoltage**
Fault message occurs in case supply voltage $+V_{cc} > 56 \text{ VDC}$.
To reset the fault condition the amplifier must be disabled and the supply voltage $+V_{cc}$ must be lower than 54 VDC.
- ⇒ **Thermal overload**
Fault message occurs in case power stage temperature is $> 100^\circ\text{C}$.
To reset the fault condition the amplifier must be disabled and the power stage temperature must fall below 80°C
- ⇒ **Invalid Hall sensor signals**
The amplifier recognizes invalid conditions at the Hall sensor inputs.
To reset the fault condition the amplifier must be disabled and the Hall sensors must be wired correctly.

The output «Ready» is protected against continuous short circuit.

Status indication	Pin number [19] «Ready»
Output voltage range	0 ... +5 V
Output resistance	47 k Ω

6 Protective functions

6.1 Undervoltage protection

The power stage will be disabled in case the supply voltage $+V_{cc}$ drops below 6 VDC.

To reset the fault condition the amplifier must be disabled and the supply voltage $+V_{cc}$ must be higher than 6 VDC.

6.2 Overvoltage protection

The power stage will be disabled in case the supply voltage $+V_{cc}$ rises above 56 VDC.

To reset the fault condition the amplifier must be disabled and the supply voltage $+V_{cc}$ must be lower than 54 VDC.

6.3 Thermal overload protection

The power stage will be disabled in case the power stage temperature exceeds 100°C.

To reset the fault condition the amplifier must be disabled and the power stage temperature must fall below 80°C.

6.4 Invalid Hall sensor signals

The power stage will be disabled in case invalid conditions at the Hall sensor inputs occur.

To reset the fault condition the amplifier must be disabled and the Hall sensors must be wired correctly.

6.5 Blockage protection

If the motor shaft is blocked, the current limit is set to the predetermined value at the «Set current limit» input.

Note

⇒ No fault message occurs at the «Ready» output if blockage protection is active.

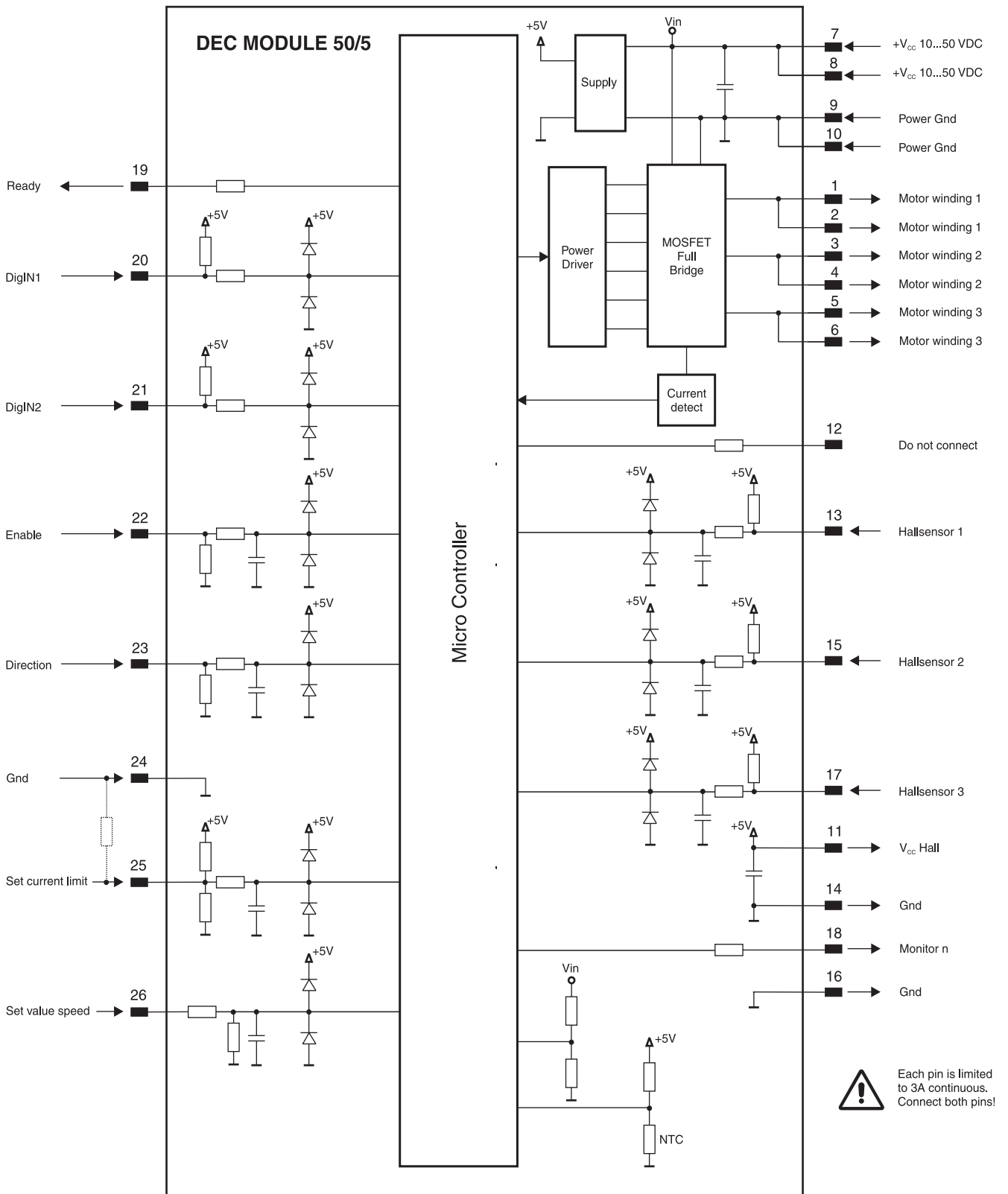
6.6 Current limitation

The motor current will be limited to 0.5...10 A depending on the value applied to the input «Set current limit» by means of a cycle-to-cycle limitation (see chapter [«5.1.5 «Set current limit»»](#)).

Note

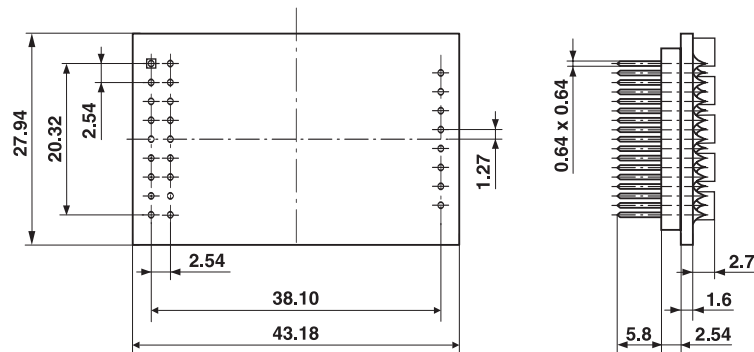
⇒ No fault message occurs at the «Ready» output if current limitation is active.

7 Block Diagram



8 Dimensional Drawing

Dimensions in [mm]



9 Accessories (not included in delivery)

maxon motor order number	Designation
370652	DEC Module Evaluation Board

10 Appendix «Motherboard Design Guide»

10.1 Introduction

The present documentation «Motherboard Design Guide» contains helpful information on the integration of the DEC Modules 50/5 into printed circuit boards. Contained therein are recommendations for possibly needed 3rd party components, suggestions on layout, terminal assignment as well as circuit samples.

Warning:

Development of printed circuits boards requires specific qualifications and should only be performed by experienced electronics engineers. The present brief instruction is intended to serve as supporting aid only and does not claim completeness. Upon request, maxon motor ag is glad to assist and to offer customer-specific motherboard designs.

10.2 External components

10.2.1 Pin socket

The connector arrays used in the DEC Module 50/5 permit two possible types of connections. The module can either be mounted on pin socket or soldered directly into the printed circuit board.

Pin socket recommendations:

Specifications:

- Pin socket vertical, single row, mates with pin header 0.63 x 0.63 mm, pitch 2.54 mm, 3 A, contact material gold or brass

Pin socket 8 poles, single row:

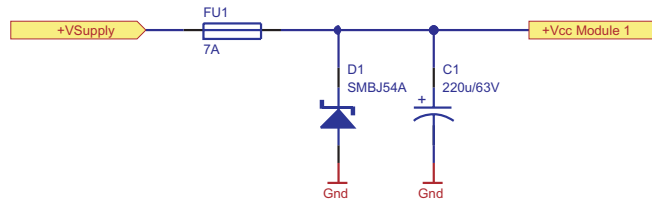
- Preci-Dip 801-87-008-10-001101
- Samtec SSW-108-01-F-S
- Harwin M20-7820842

Pin socket 9 poles, double row

- Preci-Dip 803-87-018-10-001101
- Samtec SSW-109-01-F-D
- Harwin M20-7830942

10.2.2 Supply voltage

To protect the DEC module from damage an external fuse, a TVS-diode and a capacitor in the power supply voltage line are recommended.



Fuse FU1:

To protect against reverse polarity, place a fuse at the entry of the power supply. Together with the TVS-diode, the fuse breaks an occurring reverse current.

Recommendation for the fuse:

- Littlefuse 154 Series OMNI-BLOK® fuse holder with SMD NANO²® Fuse installed:
154007. 7 A very fast-acting

TVS-Diode D1:

To protect against overvoltage due to supply transients or the motor braking energy, connect a transient voltage suppressor diode to the power supply voltage.

Recommendations for the TVS-diode:

- Vishay SMBJ54A
 $U_R = 54 \text{ V}$, $U_{BR} = 60.0 \dots 66.3 \text{ V @ 1mA}$, $U_C = 87.1 \text{ V @ 6.9 A}$
- Diotec P6SMBJ54A
 $U_R = 54 \text{ V}$, $U_{BR} = 60.0 \dots 66.6 \text{ V @ 1mA}$, $U_C = 87.1 \text{ V @ 6.9 A}$

Capacitor C1:

An external capacitor is not mandatory for the function of the DEC module. To reduce the voltage ripple and to buffer the back-fed energy a electrolyte capacitor can be connect to the power supply voltage.

Recommendations for the electrolyte capacitor:

- Panasonic EEUFC1J221S
Rated voltage 63V, Capacitance 220 μF , Ripple Current 1285 mA
- Rubycon 63ZL220M10X23
Rated voltage 63V, Capacitance 220 μF , Ripple Current 1120 mA
- Nichicon UPM1J221MHD
Rated voltage 63V, Capacitance 220 μF , Ripple Current 1300 mA

10.2.3 Motor phase

The DEC Module 50/5 has no built-in chokes.

For most motors and applications no additional motor chokes are necessary. In case of high power supply voltage $+V_{CC}$ and a motor with very low inductance the current ripple will become too high. This causes unnecessary motor heating and unstable control behavior. The minimum inductance of each choke can be calculated with the formula below.

$$L_{Phase} \geq \frac{1}{2} \cdot \left(\frac{V_{CC}}{6 \cdot f_{PWM} \cdot I_N} - 0.3 \cdot L_{Motor} \right)$$

L_{Phase} [H]	Additional external inductance per phase
V_{CC} [V]	Power supply voltage $+V_{CC}$
f_{PWM} [Hz]	PWM frequency = 46 800 Hz
I_N [A]	Nominal motor current
L_{Motor} [H]	Terminal inductance phase to phase of the motor

If the result of the formula is negative, no additional chokes are needed.

The chokes must have an electromagnetic shield, high saturation current, low losses and a rated current higher than the continuous motor current.

Recommendations for the motor chokes:

- Würth Elektronik WE-PD-XXL 7447709220
 $L_N = 22 \mu\text{H}$, $R_{DC} = 23.3 \text{ m}\Omega$, $I_{DC} = 5.3 \text{ A}$, $I_{sat} = 6.5 \text{ A}$, shielded
- Coiltronics DR127-220
 $L_N = 22 \mu\text{H}$, $R_{DC} = 39.1 \text{ m}\Omega$, $I_{DC} = 4.0 \text{ A}$, $I_{sat} = 7.6 \text{ A}$, shielded
- Würth Elektronik WE-PD-XXL 7447709150
 $L_N = 15 \mu\text{H}$, $R_{DC} = 21 \text{ m}\Omega$, $I_{DC} = 6.5 \text{ A}$, $I_{sat} = 8.0 \text{ A}$, shielded
- Sumida CDRH129RNP-150MC
 $L_N = 15 \mu\text{H}$, $R_{DC} = 16 \text{ m}\Omega$, $I_{DC} = 6.0 \text{ A}$, $I_{sat} > 6.0 \text{ A}$, shielded
- Coiltronics DR127-150
 $L_N = 15 \mu\text{H}$, $R_{DC} = 25 \text{ m}\Omega$, $I_{DC} = 5.0 \text{ A}$, $I_{sat} = 9.7 \text{ A}$, shielded
- Bourns SRR1280-150M
 $L_N = 15 \mu\text{H}$, $R_{DC} = 28 \text{ m}\Omega$, $I_{DC} = 5.2 \text{ A}$, $I_{sat} > 5.2 \text{ A}$, shielded
- Würth Elektronik WE-PD-XL 744770115
 $L_N = 15 \mu\text{H}$, $R_{DC} = 24 \text{ m}\Omega$, $I_{DC} = 5.0 \text{ A}$, $I_{sat} = 6.0 \text{ A}$, shielded
- Sumida CDR127/LDNP-150M
 $L_N = 15 \mu\text{H}$, $R_{DC} = 20 \text{ m}\Omega$, $I_{DC} = 5.7 \text{ A}$, $I_{sat} > 5.7 \text{ A}$, shielded

10.3 Design rules

To help customers designing an application specific motherboard and for correct and save function of the DEC Module 50/5 these rules should be followed.

10.3.1 Ground

The ground (Gnd) pins of the DEC Module are internally connected (same electrical potential). It is common practice to place a ground plane on the motherboard and it is necessary to connect pins [9], [10], [14], [16] and [24] with thick tracks to the power supply voltage ground

Pin	Signals	Description
9	Gnd	Ground
10	Gnd	Ground
14	Gnd	Ground
16	Gnd	Ground
24	Gnd	Ground

If ground safety earth is mandatory, connect the ground plane over several parallel capacitors to the ground safety earth. Ceramic chip capacitors with 47 nF and 100 V are suggested.

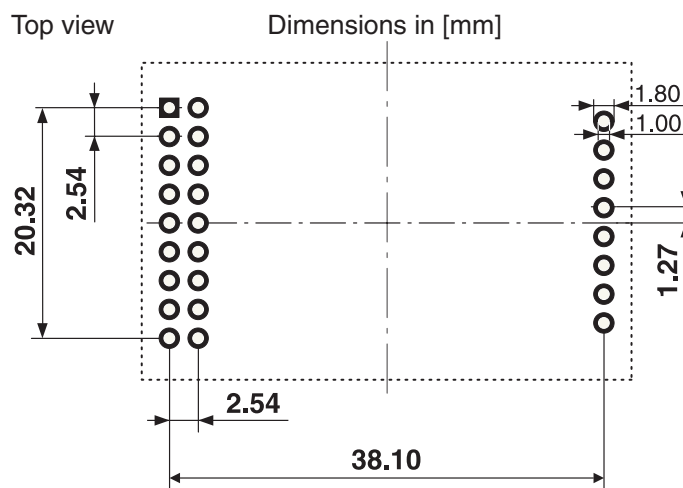
10.3.2 Layout

Motherboard layouts for DEC Module 50/5 should follow these rules:

- Pins [7] and [8] +V_{CC}: Use thick track to connect to the fuse.
- Pins [9], [10], [14], [16] and [24]: Use thick tracks to connect to supply voltage's ground (Gnd).
- The width and copper plating thickness of the power supply voltage and motor winding traces depend on the maximum current expected in the application. A minimum of 75 mil width at 70 µm thickness is recommended.



10.4 THT footprint



10.5 Pin description

See chapter [«3 Pin assignment DEC Module 50/5»](#)

10.6 Technical data

See chapter [«2 Technical data»](#)

10.7 Dimensional drawing

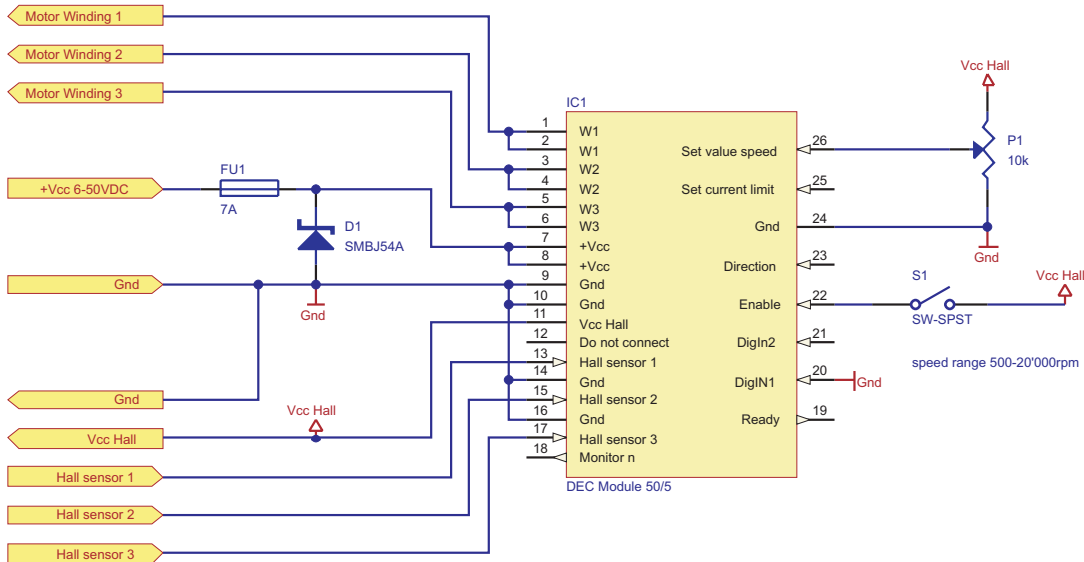
See chapter [«8 Dimensional drawing»](#)

10.8 Schematic examples

10.8.1 Minimum external wiring

Power supply (6...50 VDC); EC motor with Hall sensors; External set value speed potentiometer (10 kΩ); Enable switch

Configuration: Speed controller (closed loop); Speed range 500...20 000 rpm.

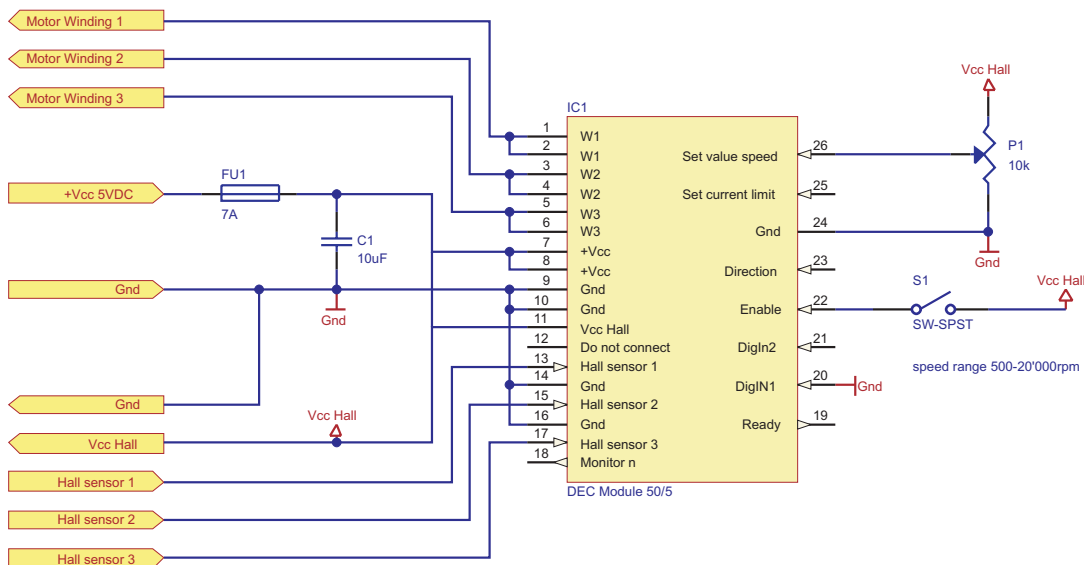


10.8.2 Low Voltage +5V operation

Alternatively, the DEC Module 50/5 can be operated with a supply voltage of +5 VDC only. Thereby, the external +5 VDC power source must be connected to pins [7] and [8] «+V_{CC}» and, in addition, also to pin [11] «V_{CC} Hall». This wiring makes sure that the internally needed +5VDC supply voltage is fed from external.

Warning

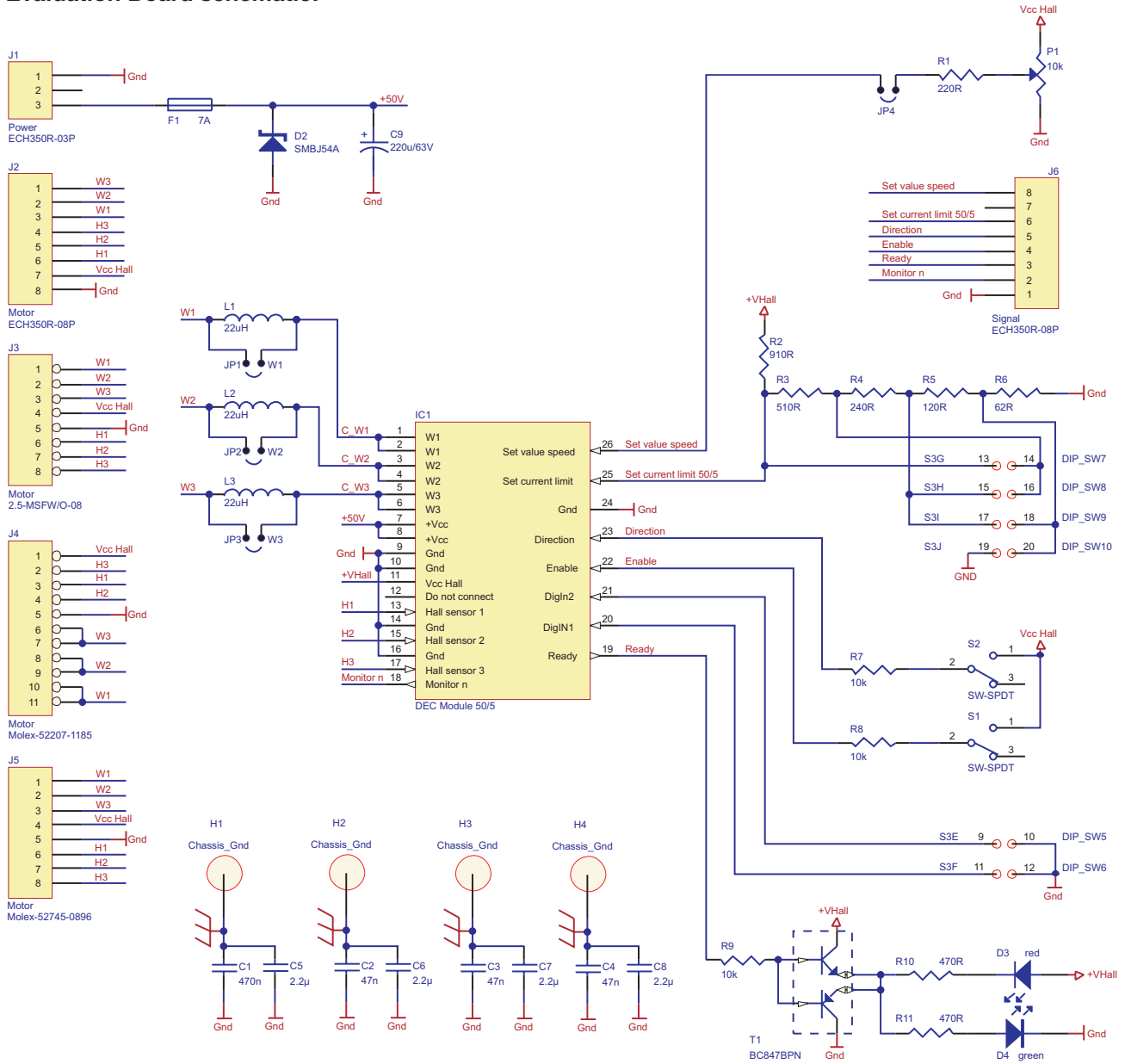
The supply voltage must be between +4.75 VDC and +5.25 VDC. Voltages above +5.5 VDC or swapping poles will destroy the unit.



10.8.3 Maximum external wiring according to the DEC Module Evaluation Board order number 370652

For initial commissioning, maxon motor offers an Evaluation Board for a single-axis system. The motherboard «DEC Module Evaluation Board» can be ordered with order number 370652.

Evaluation Board schematic:



Set current limit 50/5 (examples)

	DIP-SW 7	DIP-SW 8	DIP-SW 9	DIP-SW 10
1.3A	ON	ON	ON	OFF
2.3A	ON	ON	OFF	ON
4.2A	ON	OFF	ON	ON
6.3A	ON	OFF	OFF	OFF
7.2A	OFF	ON	ON	ON
10A	OFF	OFF	OFF	OFF

DIP-SW 5	DIP-SW 6	Speedrange	4 pole pairs	8 pole pairs
DigIN2	DigIN1	1 pole pair		
ON	ON	Open loop speed control, 0...95% PWM		
ON	OFF	500...5'000 rpm	125...1'250 rpm	62...625 rpm
OFF	ON	500...20'000 rpm	125...5'000 rpm	62...2'500 rpm
OFF	OFF	500...80'000 rpm	125...20'000 rpm	62...10'000 rpm

Picture Evaluation Board with DEC Module 50/5:

